

## **ACNC/TOTALPLEX®**

### **DOORBELL FON™**

### **DP-28NBF**

TODAYS GENREATION DOOR BELL

#### **DESCRIPTION**

This door box is manufactured in solid, anodized brass. A non-mechanical sensor button brings an even higher technology advance to this already amazing product. The Perfect add-on box for an additional entryway. Installs using a single pair of wire. Mounts onto a 2-gang masonry box. Great curb appeal.

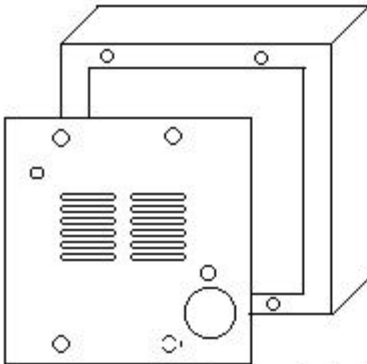
#### **FEATURES**

- ❑ Solid, anodized brass
- ❑ Vandal-resistant (flush mount)
- ❑ Environmental grad sensor button
- ❑ Conveniently mounts into 2-gang masonry box
- ❑ Weather resistant

#### **APPLICATIONS**

- ❑ Additional entryways
- ❑ Driveway gates
- ❑ Remote gate entries
- ❑ Remodeling jobs
- ❑ Marine docks
- ❑ Educational facilities
- ❑ Delivery docks

#### **Mounting**



\*Mounts onto standard double gang box (screws hold plate directly to box)

\*brass finished screws included

#### **Hook Up**

